

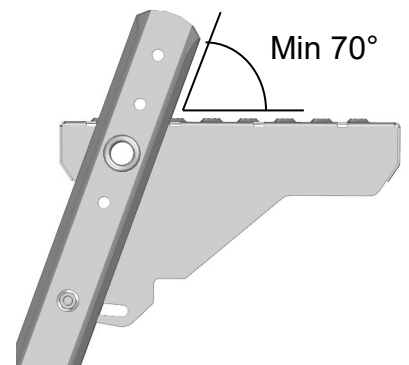
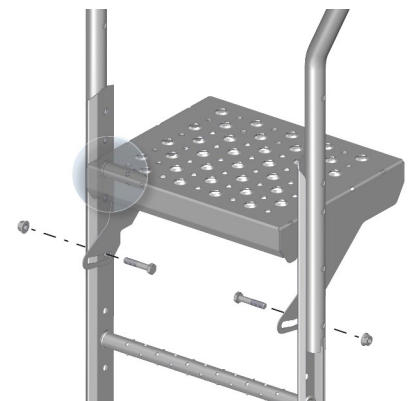
Assemble the handrails using M10x60 mm bolts +nuts. Assemble the handrail hoops as needed.

If a safety cage is needed, start at the top and install the safety cage hoops against the inside of the handrail. The hoops can be widened by hand for the best fit.

Assemble the safety cage set using M10x20 bolts and nuts. Adjust the safety cage hoops horizontally.



Continue installing the safety cage hoops and safety cage sets to the desi-



The standing platform is hooked on the top rung and bolted to the side of the ladder using 2x M10x20 or 2x M10x60mm for handrail + nuts.