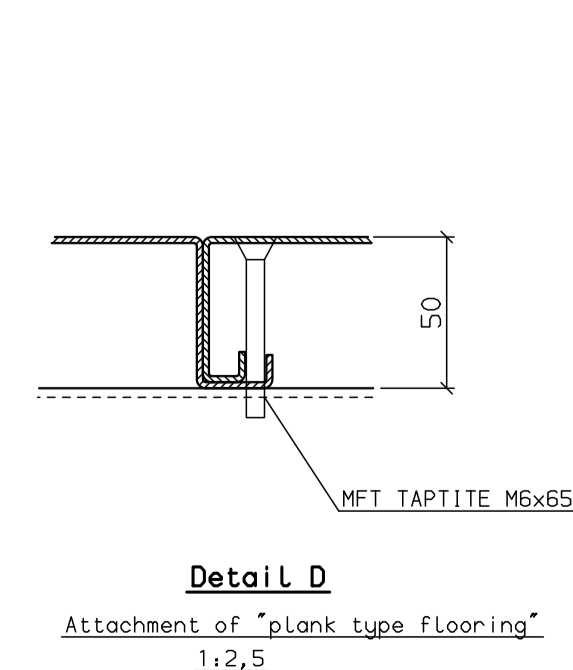
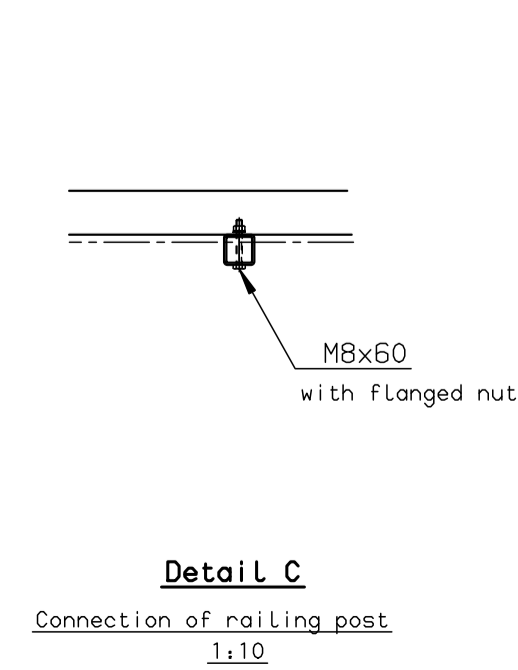
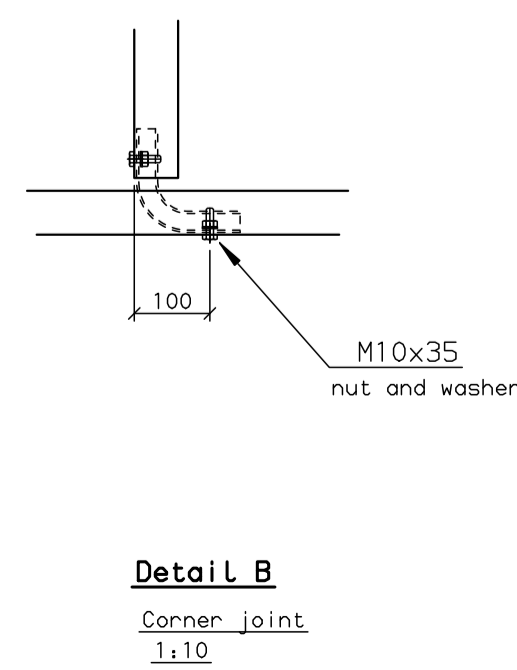
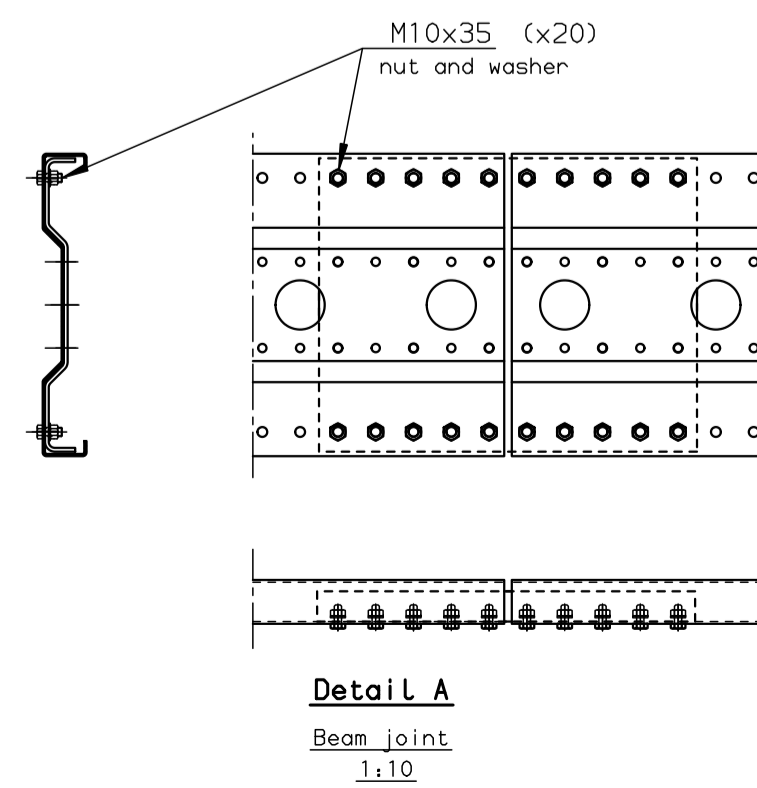
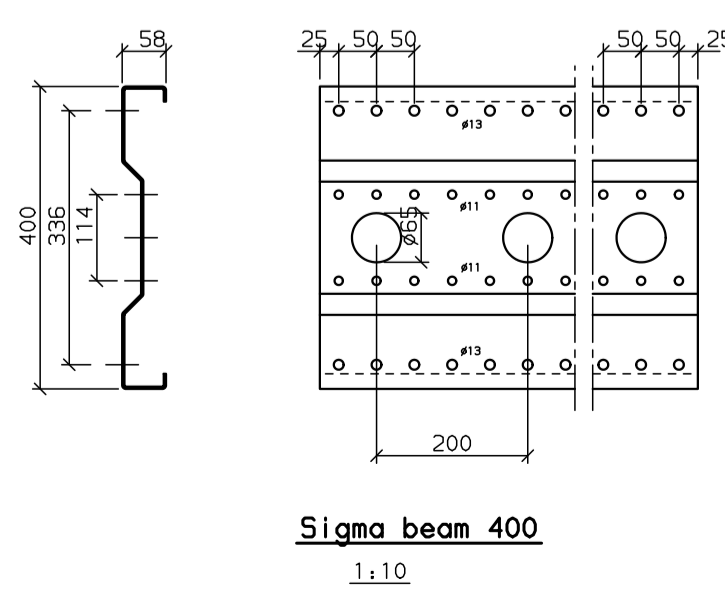


**Design**  
 Fire resistant R60 "Access balcony" of Sigma 400 profiles.  
 Design calculated to fireclass R 60 A2-s1,d0 without fire protection.  
 Consequences class CC2; KFI = 1.  
 Loadcategory A5, "Balkoner og altaner".  
 Vertical uniformly distributed load  $q_k = 2,5 \text{ kN/m}^2$   
 Vertical point load  $Q_k = 2 \text{ kN}$   
 Loadcombination factors  $\psi_0 = 0,5$ ,  $\psi_1 = 0,3$  and  $\psi_2 = 0,2$

Surface treatment: Sigma beams: Hot dip galvanised, Z275  
 Handrail, Stainless steel tube, EN1.4301  
 Others: Hot dip galvanised, SS EN 150 1461



Constr	Draw	Checked	Scale	Date
HH	JOS		1:140	170330
			Access balcony Principal	
Tel. 43-99 75 55			Drawing No. e1-24366-dk	

Rev	Description	Date	By	Check

This drawing must not be copied or shown to third parties without the consent of WELAND & SPANNER A/S